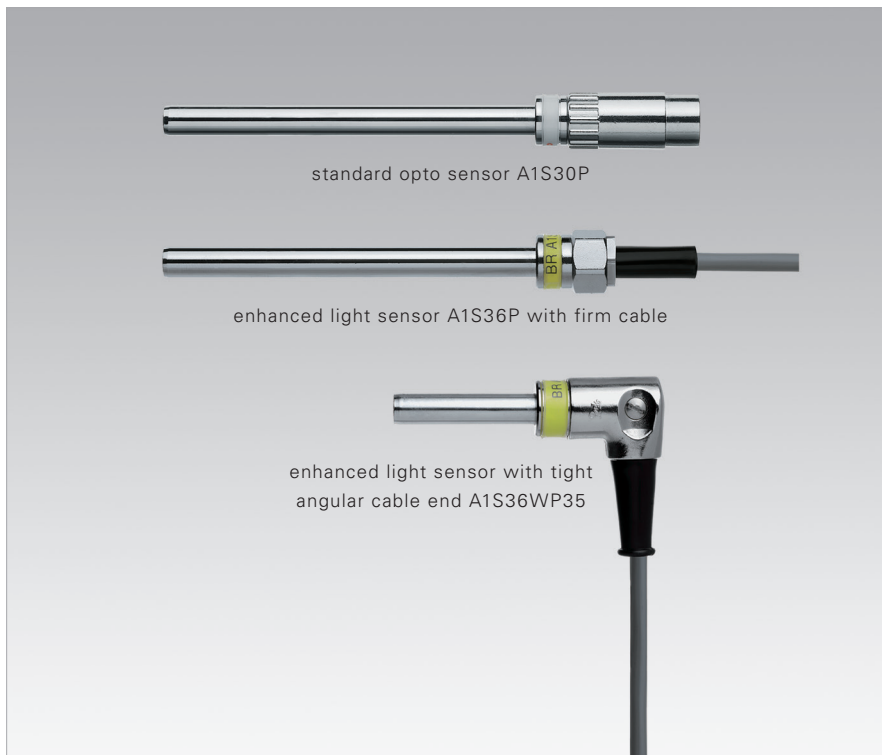


# Optoelectronic Sensors

## Series A1S30...A1S36P



### KEY FEATURES

- Sensing distance up to 2 cm (A1S30P) and up to 10 cm (A1S36P)
- Frequency range 10 Hz...15 kHz (1 million RPM)
- Easy and quick to use, only in connection with our portable tachometers C118
- Further flexibility via optional extension cable available up to 30 meters
- Operating temperature 0...50 °C

### BENEFITS

- Flexible use and easy handling
- Easy adjustment to the application due to mobile use
- Sensors to directly plug-in or via flexible extension cable

## Sensors A1S30...A1S36P – best for flexible and portable use

The BRAUN Optoelectronic Sensor Series A1S30P and A1S36P are designed for various applications with smooth or profiled targets: a dot of paint on a shaft is adequate to start measurements. Likewise, a fan blade, a screw head, a slot or cam will serve. Our high reflecting adhesive tape U1A006 helps with difficult applications. The Function does not depend on the target material. Therefore no load influence of the object.

The A1S36P sensors are specially designed for difficult conditions or in heavy duty ambiances, such as the wet section of paper machines, or automotive tests on the road by virtue of its enhanced light beam and tight cable connection. The version A1S36WP35 specifically addresses narrow space applications by its short shaft and its angled cable output. The sensing distance is widely dependent on contrast and reflection grade of the target. Recommended 1-2 cm for the A1S30P and 1-10 cm for the A1S36P. It is not affected by the luminescent light ambiance.

---

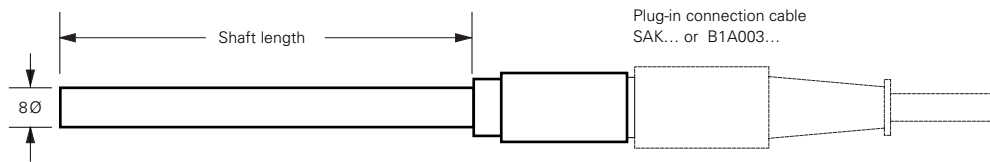
## Specifications of A1S30...A1S36P

---

<b>Light Source</b>	High performance LED red (ca. 645 nm), < 125 mW
<b>Signal Frequency</b>	10 Hz...15 kHz
<b>Sensing Distance</b>	Up to 1 cm (A1S30P) Up to 10 cm (A1S36P) Not affected by luminescent light ambiance. Requires reflection tape U1A006 as mark on the target.
<b>Signal Output</b>	Fitting to BRAUN C118 hand-held tachometer
<b>Signal Transmission</b>	The low level and high impedance signal character allows a maximum of 30 meters, within an interference-free ambiance only. Our cables SAK-xm provide the necessary uninterrupted screening.
<b>Power Supply</b>	Electric current supplied by BRAUN C118 hand-held tachometer
<b>Connection</b>	Via cable SAK-xm to BRAUN C118 hand-held tachometer
<b>Operating Conditions</b>	Ambient temperature: 0...50 °C (30...125 °F) Relative humidity max. 80%, non-condensing
<b>Dimensions</b>	Available with shaft length 35 mm (short version) or 95 mm (as standard). Shaft diameter 8 mm.
<b>Weight</b>	Depends on the length and shaft diameter of the sensor and the used cable
<b>Optional Cables</b>	<b>SAK-xm</b> (PVC sensor connecting cable) x = cable length in m (up to 30 meters)

---

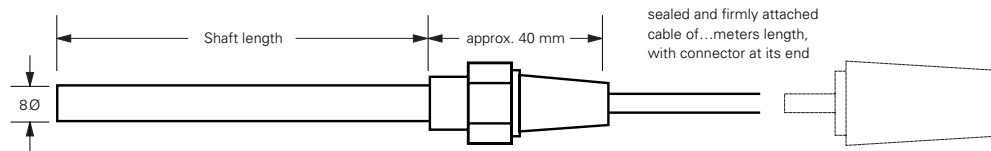
## A1S30P



### Specifications

Available with a shaft length of 95 mm (standard) and 35 mm. Shaft diameter 8 mm. Plug-in connector at shaft end.

## A1S36P

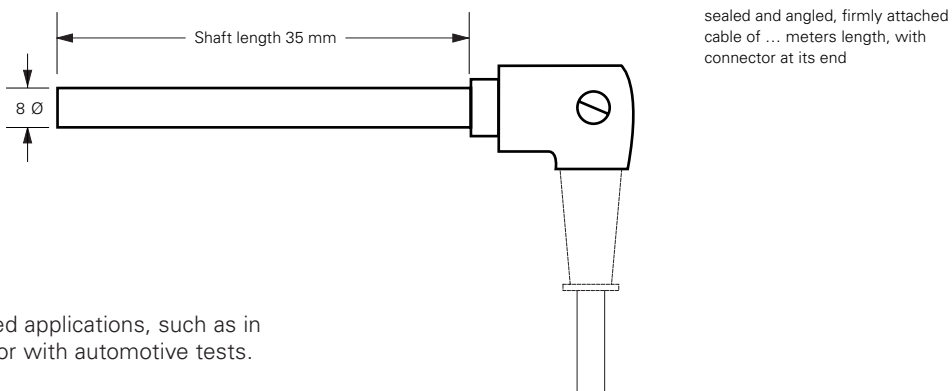


### Specific notes

For heavy duty applications (paper machines etc.) by virtue of intensified light emission and firmly attached sealed cable.

Available with shaft length of 95 mm (standard) or 35 mm. Shaft diameter 8 mm.

## A1S36WP35



### Specific notes

For narrow spaced applications, such as in paper machines or with automotive tests.

## Ordering Key

A1S | - m

Version according to above:

30P  
36P  
36WP

length of firm cable (if any),  
in meters, preference 2 m,  
5 m or 10 m

Shaft length (by mm): 35 or 95\*

\*version 36WP only available with 35

## BRAUN – Speed Monitoring and Protection Systems for Rotating Equipment

BRAUN Industrial Electronics develops, produces and sells an array of "Rotating Equipment" protection systems for use in industrial applications worldwide with the focus on overspeed protection. These systems comply with the highest standards of safety and availability.

As a globally leading technology provider with over 50 years of experience, BRAUN has been continually meeting and mastering the challenges associated with protecting the facilities of companies within the power generation, oil, gas, and chemical industries. Our protection systems are installed in more than 100 countries around the world and are mainly used in safety-critical applications with rotating parts.

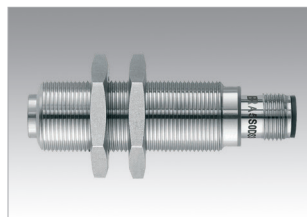
For our OEM customers, BRAUN is both a solution oriented systems provider and a reliable partner.

Our solutions comprise a variety of products for the detection and monitoring of speed and related parameters.

Always matching the requirement. Always the perfect solution for safety and availability.



**PROTECTION SYSTEMS**



**SPEED SENSORS**



**TACHOMETERS**



**PORTABLE TACHOMETERS**

**BR BRAUN**  
Speed and Frequency

**BRAUN GMBH Industrie-Elektronik**

Esslinger Strasse 26 · D-71334 Waiblingen · Germany

Phone: +49(0)7151/9562-30 · Fax: +49(0)7151/9562-50

E-mail: [info@braun-tacho.de](mailto:info@braun-tacho.de) · Internet: [www.braun-tacho.de](http://www.braun-tacho.de)

