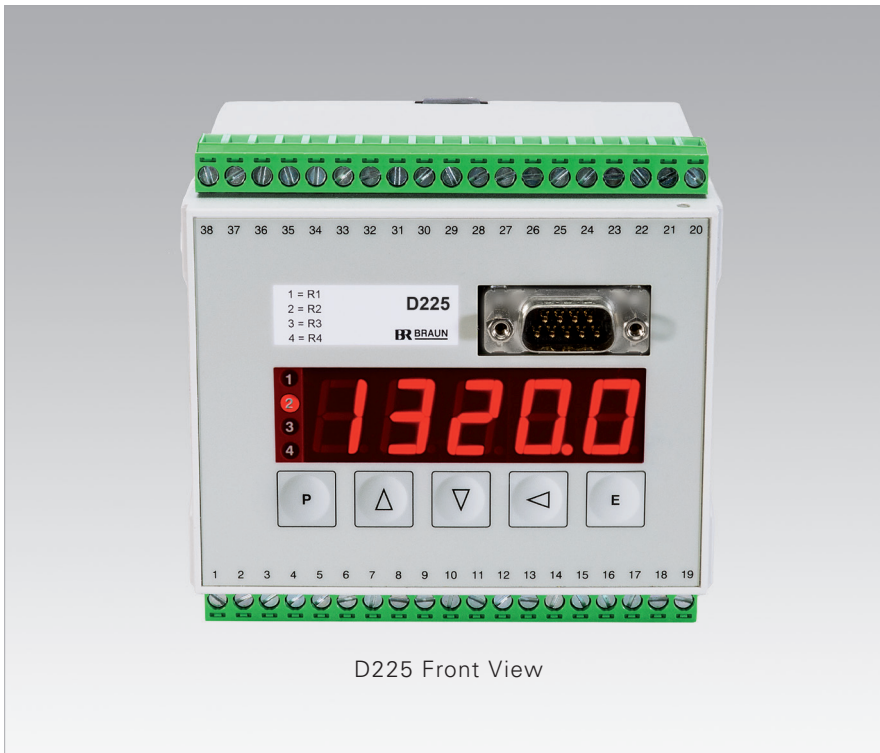


Single Channel Monitor for Measurement of Speed and Detection of Direction with SIL1 requirements

Series D225.xx



D225 Front View

Fast, precise and safe – from zero motion to highest speed

The BRAUN Single Channel Speed and Direction Monitor Series D225.xx for increased safety requirements is SIL1 / IEC 61508:2010 compliant. It simultaneously measures one speed value and the direction of speed with fault indication.

The signal input is specially designed for our proven Differential-Hall-Effect based A5S speed sensors. Either with speed and direction signal (A5S...3) or two phase shifted speed signals (A5S...4).

Display, setpoints, and analog output may be adjusted to any speed. During its complete useful lifetime of 20 years, the monitor does not require any external proof tests and is completely maintenance-free.

KEY FEATURES

- SIL1 / IEC 61508:2010 compliant
- Single Channel Speed and Direction Monitor with sensor monitoring and self-test function
- Frequency range 0 Hz...50 kHz
- 1 Analog Output 0/4...20 mA
- Bright red digital LED display
- 4 Alarm Outputs via relay contacts
- Signal Input for A5S sensors with speed and direction signal or two phase shifted speed signals
- RS232 Data Interface for version D225.11
- PROFIBUS Data Interface for version D225.12
- Universal Power Supply range 20...265 V_{uc}

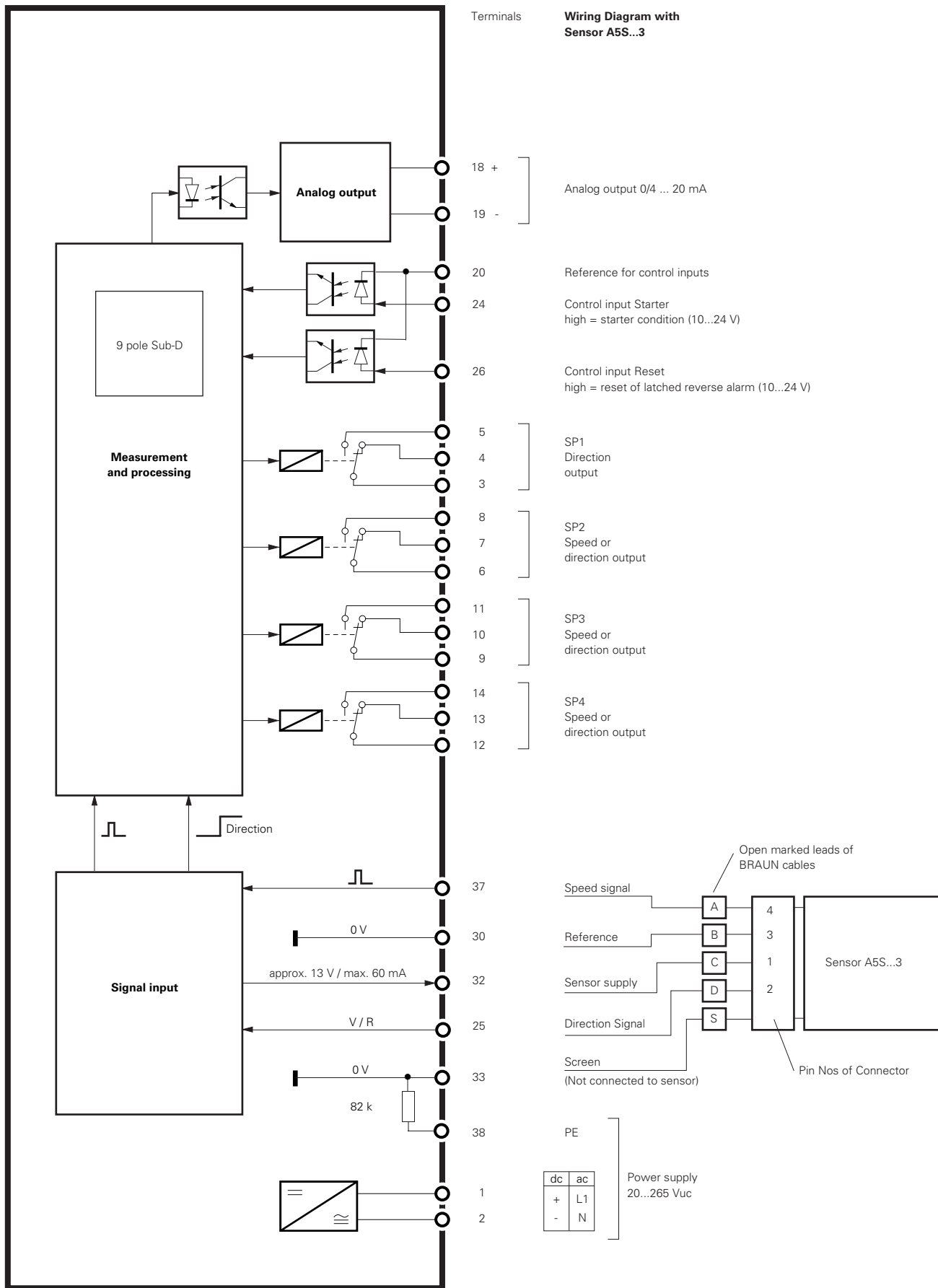
BENEFITS

- Fast, precise and safe
- Maintenance-free during Lifetime, therefore minimized TCO
- Rapid and accurate response through period measurement

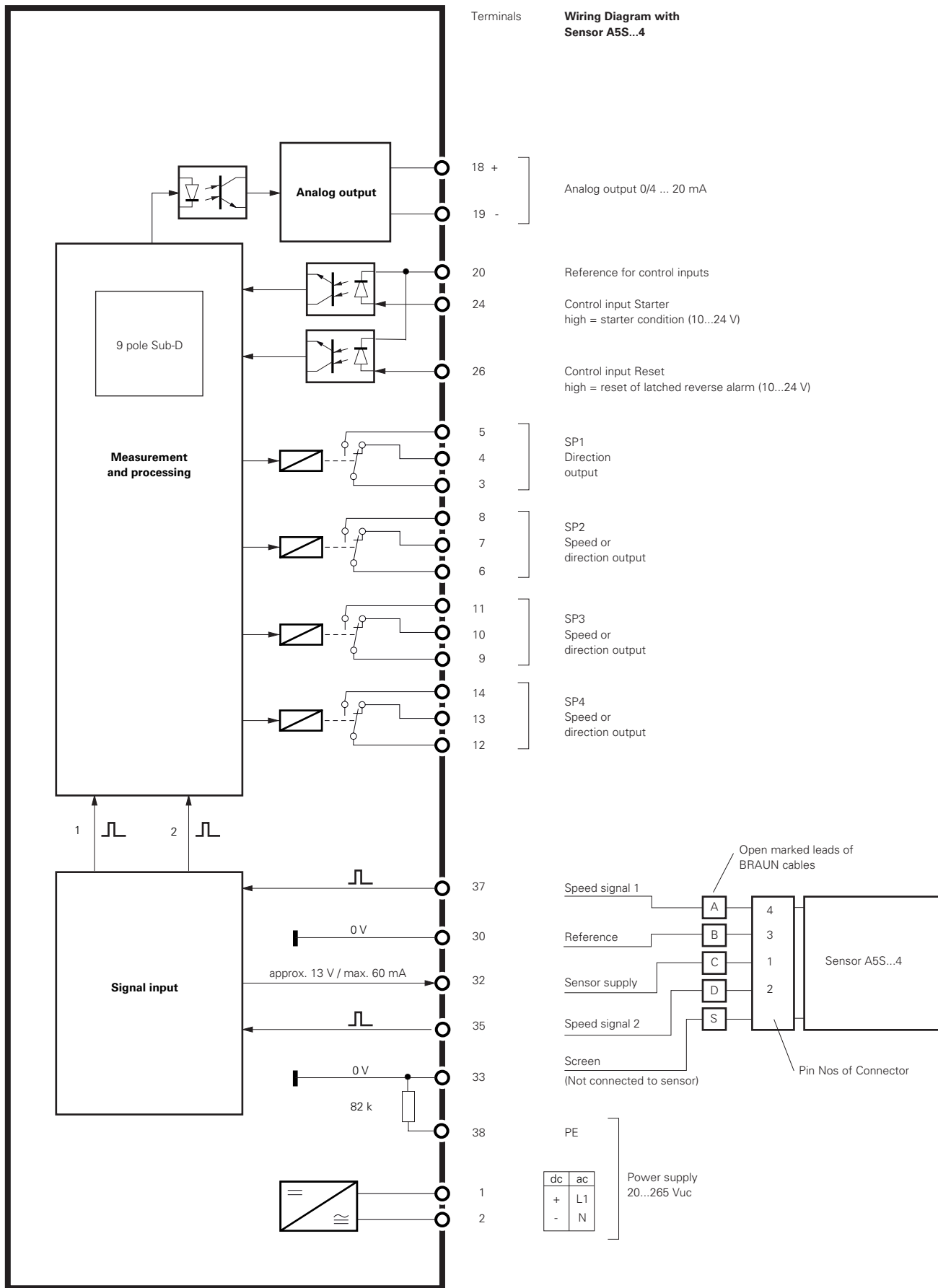
Specifications of D225.xx

Conformity to Standards	<p>Directives 2014/30/EU (EMC Directive) 2014/35/EU (Low Voltage Directive) 2011/65/EU (RoHS Directive) SIL1 acc. IEC 61508:2010, EN ISO 13849:2008; PLc</p> <p>Standards EN 61000-6-4, EN 61326-3-2 EN 61010-1 EN 50581</p>
Measuring Principle	Frequency measurement, based on the input pulse distance, extended over a minimum period of time, programmable 5 milliseconds...9.999 seconds.
Accuracy	±0.005% of value ±1 in last digit
Response	1 input pulse interval + programmed minimum time + 5 milliseconds
Analog Output	Isolated and protected against external short circuit. Current 0/4...20 mA with max. load of 500 ohms
Range	High and low end of span programmable
Resolution	12 bit (1 : 4096)
Drift by temperature	<0.01% within 0...40 °C (32...104 °F)
Long term stability	<0.25% during 5000 hours of operation
Setpoint Alarms	Four individual setpoints control an own relay output, each with SPDT contacts.
Setpoints adjustment	Individually programmable from zero speed up to any high speed or to direction alarm
Response characteristics	Hysteresis individually programmable in its position and width
Handling capacity	Relay contacts 250 V, 2 A, 100 W AC
Alarm state position	Individually programmable for excess, no power and input failure condition, starter period
Starter function	Released by external control signal (12...24 V) to isolated input. Extension programmable up to 999 sec.
Display	5 digits with red LED figures, 15 mm high Indicating the variable during operation, parameters during the programming phase
Data Interface	RS232 at front socket (Baud rate programmable, up to 38400 baud) for version D225.11 PROFIBUS at front socket (Baud rate automatic) for version D225.12
Data output	Measurements and signals state, upon request
Data input	Programming the parameters (equipment required see below)
Programming	Manually by front keys, alternatively via RS232 (equipment required see below)
Data protection	Parameters safe-guarded against power failure and code protected against unauthorized access
Signal Input	Isolated circuit
Frequency range	0 Hz...50 kHz
Signal level range	Fitting A5S sensors
Input impedance	100 kohms
Scaling factor	Programmable by 5 digits, considering any relation to the variable
Suitable sensor types	All A5S sensors with speed and direction signal or two phase shifted speed signals
Sensor failure monitoring	Short-circuit or interrupt of supply, signal lead break. A detected failure sets any of the alarms into a pre-programmable state.
Sensor supply	Approx. 13 V / max. 60 mA
Power Supply	D225.xxU3: Universal supply range 20...265 V _{uc} , Power consumption approx. 8 W Insulation category Class 1
Connectors (Wiring)	Screw mounting, 2 plug-in terminal blocks, accepting 0.2...2.5 mm ² cross section
Operating Conditions	Ambient temperature: 0...50 °C Increased temperature range: -25...+65 °C (suffix M to model No.) Relative humidity max. 95%, non-condensing
Design	Snap-on-track enclosure for 35 mm rail, field mounting enclosure (Option -G) on request
Dimensions	Length 100 mm, width (including terminal blocks) 104 mm, height 110 mm
Protection Grade	IP 40 for enclosure (also available in field mounting version, with transparent cover IP 65/NEMA 4) IP 20 for terminals
Weight	approx. 0.4 kg
Optional Accessories	IS-RS232-S: CD-ROM with Interface Software to program parameters L3D03: Plug-in adapter cable, with 9-pole Sub-D (female) plug to PC

Function Diagram and Connections for A5S...3 Sensors

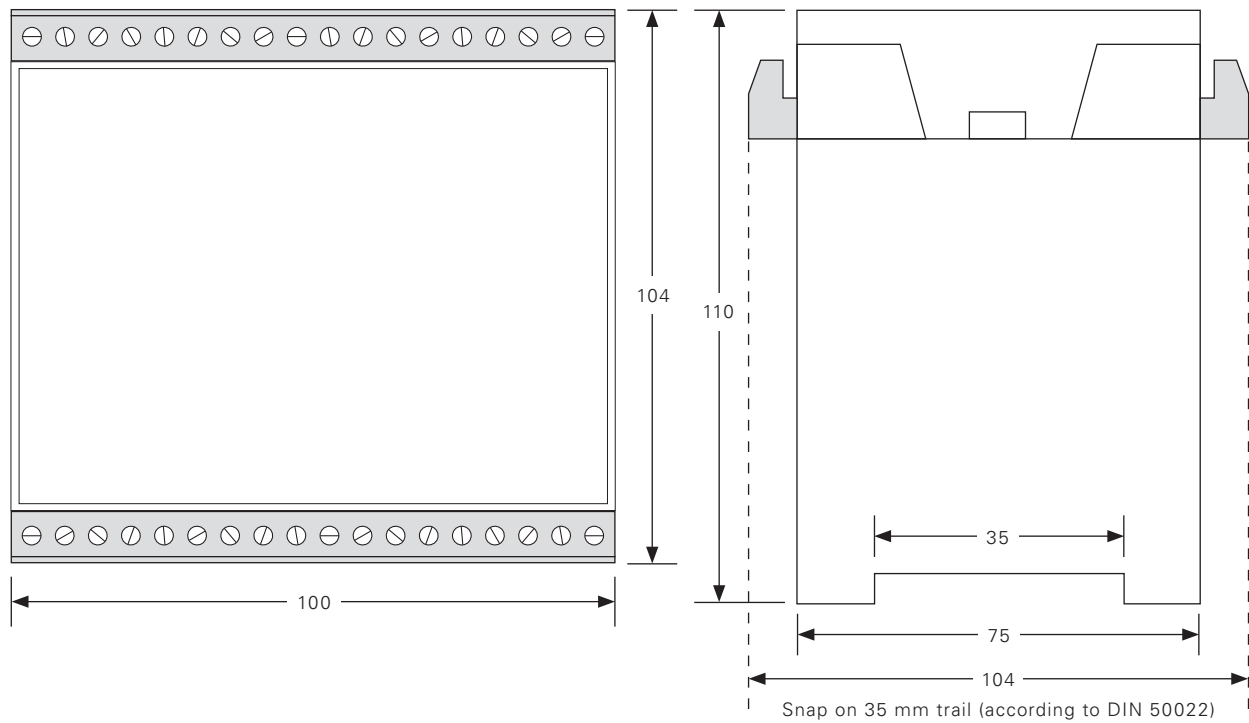


Function Diagram and Connections for A5S...4 Sensors

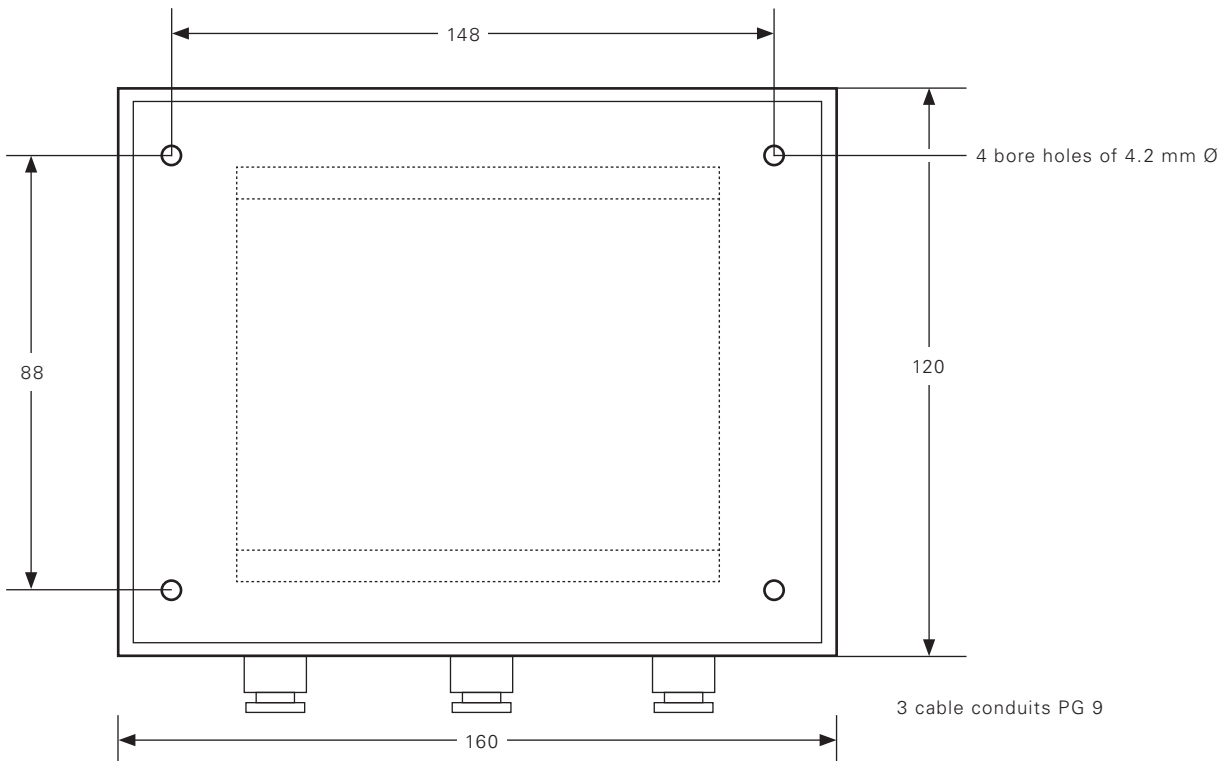


Dimensions (in mm)

Dimensions of Rail Mounting Enclosure (standard)



Dimensions of Field Mounting Enclosure (Option -G)



Ordering Key D225.xx

D225. 1 a U3 b c

Data Interface

a = 1 : RS232
a = 2 : PROFIBUS

Supply Voltage

U3 : 20...265 Vuc

Mark for specific option

b = M : increased temperature range (-25...+65°C)
(omit if not required)

Enclosure

c = suffix „-G“ : field mounting enclosure with transparent cover
(omit if not required)

Examples:

D225.11U3 : RS232 Data Interface, 20...265 Vuc

D225.12U3 : PROFIBUS Data Interface, 20...265 Vuc

D225.11U3M : RS232 Data Interface, 20...265 Vuc,
increased temperature range (-25...+65°C)

D225.11U3-G : RS232 Data Interface, 20...265 Vuc,
field mounting enclosure with transparent cover

D225.12U3M-G : PROFIBUS Data Interface, 20...265 Vuc,
increased temperature range (-25...+65°C),
field mounting enclosure with transparent cover

BRAUN – Speed Monitoring and Protection Systems for Rotating Equipment

BRAUN Industrial Electronics develops, produces and sells an array of "Rotating Equipment" protection systems for use in industrial applications worldwide with the focus on overspeed protection. These systems comply with the highest standards of safety and availability.

As a globally leading technology provider with over 50 years of experience, BRAUN has been continually meeting and mastering the challenges associated with protecting the facilities of companies within the power generation, oil, gas, and chemical industries. Our protection systems are installed in more than 100 countries around the world and are mainly used in safety-critical applications with rotating parts.

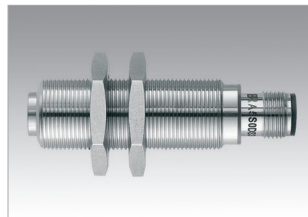
For our OEM customers, BRAUN is both a solution oriented systems provider and a reliable partner.

Our solutions comprise a variety of products for the detection and monitoring of speed and related parameters.

Always matching the requirement. Always the perfect solution for safety and availability.



PROTECTION SYSTEMS



SPEED SENSORS



TACHOMETERS



PORTABLE TACHOMETERS

